

Cam Lock PRO

REPLACEMENT CAM LOCK INSTRUCTIONS

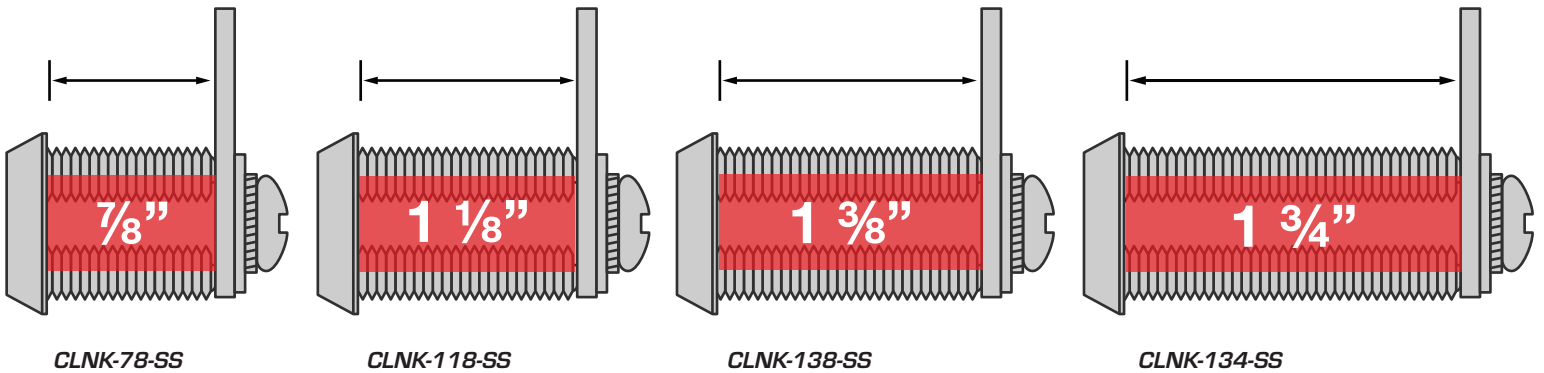


1" TEST BOX

Measure the "TEST BOX" to determine if this guide is printed correctly. All illustrations are actual size.

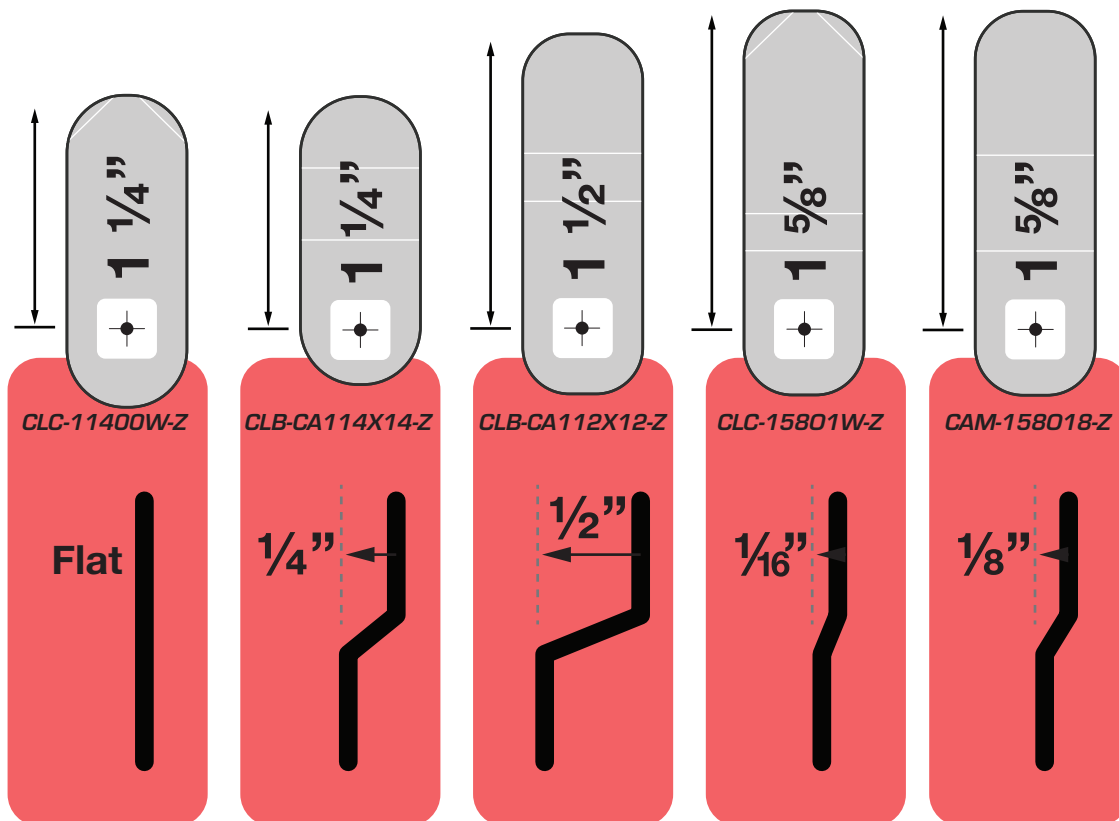
Step 1 LOCKS

Determine what size lock you need. Place your current lock on the lock illustrations below for correct lock size. If your lock is a different size, please call us for further assistance.



Step 2 CAMS (Best practice is to reuse your existing cam.)

Determine what size cam (locking arm) you need. Place your current cam on the cam illustrations below for correct cam size. You can also measure manually using a ruler and measuring from the center hole of your cam to the longest end.



BENDS

Each cam option shown has a specific offset (bend) as illustrated below. If you have a bend that is larger than 1/2", please call 888-400-3044 for further assistance.